



# BIRO OKTROI ROOSSENO

INTELLECTUAL PROPERTY PROTECTION, ADVOCACY & LEGAL CONSULTATION, TRADE SECRET AND LICENSING, FRANCHISING, LITIGATION (IPR), AND UNFAIR COMPETITION

**Head Office :**

Kantor Taman A-9, Unit C1 & C2  
Jl. Mega Kuningan, Jakarta 12950, INDONESIA  
P.O. BOX. 4585 Jakarta 10001  
Phone : (62-21) 576 2308, 576 2310 (Hunting)  
Fax : (62-21) 576 2301, 576 2302, 576 2303  
E-fax : (65) 6826-4084  
E-mail : iprlaw@iprbor.com  
Web site : http://www.iprbor.com  
http://www.roosseno.co.id

(Anno 1951)

Founders : Prof. Dr. Ir. R. Roosseno & Mr. Yland  
President Director : Prof. Dr. Toeti Heraty N. Roosseno  
Contact Person : Prof. Dr. Toeti Heraty N. Roosseno  
: Ir. Migni Myriasandra, MIP, MSEL

**P2/2862**

File No **9595/GP-SLP/08/Inv.**

( please always quote our file No.)

Our ref **MG27694P.IDP**

Your ref :

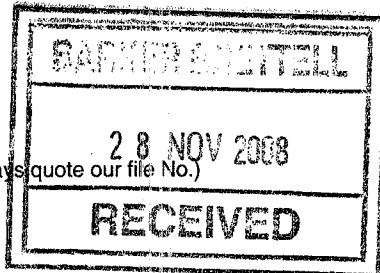
**BARKER BRETTELL**

Cambridge Office

St John's Innovation centre, Cowley Road

Cambridge CB4 0WS

**UNITED KINGDOM**



Jakarta, November 21, 2008

Facsimile & Courier

**Attn. : Win Oakey**  
**Fax No. : 01223 243272**  
**Phone No. : 01223 411355**

**Re. : Issuance of Patent Certificate of Patent Application No. W-00 2006 02761**  
**In the Name of MUSION SYSTEMS LIMITED**  
**Filing Date : April 1, 2004**  
**Notice of Allowance : April 22, 2008**

Dear Sirs,

With reference to our letter dated November 14, 2008, informing you that we have received the Indonesian Patent Certificate and the Patent Document. Please find herewith, the description(s) of the Patent Certificate as follows:

COUNTRY : Indonesia  
PATENTEE : MUSION SYSTEMS LIMITED  
ADDRESS : Covden House, 7a Langley Street, London, WC2H 9JA,  
Great Britain  
TITLE : PROJECTION APPARATUS AND METHOD FOR  
PEPPER'S GHOST ILLUSION  
TOTAL CLAIM(S) : 1-28  
PATENT NO. : **ID 0 020 983**  
FILING DATE : April 1, 2004  
PRIORITY CLAIMED : Time Line B  
DATE OF GRANT : **April 22, 2008**  
MAINTENANCE FEE : Should be paid annually, and is due every April 22  
EXPIRY OF PATENT TERM : April 1, 2024

**File No. : P2/2862**


We have placed this data in our patent records for the purpose of reminding you on the obligation to pay the annuity fees at the appropriate time. We recommend, however, that you keep a note of the due date, as we cannot accept the legal consequences of not paying the annuity payment. We will, then, wait for your further instruction concerning the annuity fee payment.

Please find enclosed the original Patent Certificate (Letters Patent) together with the English Translation thereof and the Patent Document. The related invoice will follow.

Kindly acknowledge receipt of the documents by return facsimile.

Yours Faithfully,

**BIRO OKTROI ROOSSENO**

  
**Dr. Toeti Heraty N. Roosseno**  
MG/PH/IK

Encls. : by Federal Express

- Circular of Rights and Obligations of Patentee (Patent Holder)
- Patent Certificate + Its English Translation
- Patent Document
- Important Notification : *Patent Annual Payment Systems*



# BIRO OKTROI ROOSSENO

INTELLECTUAL PROPERTY PROTECTION, ADVOCACY &  
LEGAL CONSULTATION, TRADE SECRET AND LICENSING,  
FRANCHISING, LITIGATION (IPR), AND UNFAIR COMPETITION

(Anno 1951)

Founders : Prof. Dr. Ir. R. Roosseno & Mr. Yland  
President Director : Prof. Dr. Toeti Heraty N. Roosseno  
Contact Person : Prof. Dr. Toeti Heraty N. Roosseno  
: Ir. Migni Myriasandra, MIP, MSEL

**Head Office :**

Kantor Taman A-9, Unit C1 & C2  
Jl. Mega Kuningan, Jakarta 12950, INDONESIA  
P.O. BOX. 4585 Jakarta 10001  
Phone : (62) - 21 - 576 2308, 576 2310 (Hunting)  
Fax : (62) - 21 - 576 2301, 576 2302, 576 2303  
Telex : 61787 WISATA IA  
Cable : PATENTBOR  
E-mail : iprlaw@iprbor.com  
Web site : <http://www.iprbor.com>  
<http://www.roosseno.co.id>

**Branch Office :**

Jl. Raya Seminyak No. 73, Ruko No. 3  
Kuta, Bali - Indonesia  
Phone/Fax : (62) - 361 - 732781

Our ref : 002/Cir.THN/BOR/VII/2005

Jakarta, July 22, 2005

Your ref : ---

To: **Our Clients and Colleagues,**

**Re: Date of Effectiveness and Terms of a Patent  
The Obligations of a Patent Holder  
Compulsory Licenses, and  
Cancellation of Patents by Operation of Law**

---

## DATE OF EFFECTIVENESS AND TERM OF PATENT

Under the new Law Number 14 of 2001 concerning Patent, which became effective on August 1, 2001 (replacing the previous Patent Law Number 13 of 1997 as the amendment to Law Number 6 of 1989), a Patent shall be granted for a period of 20 years as of the filing date and cannot be extended. A Patent becomes effective from the date the Patent Certificate is given and retroactively valid to the filing date of the application. A Simple Patent shall be granted for a period of 10 years as of the filing date and cannot be extended.

According to the transitional provisions of the prevailing Patent Law of 2001, all existing implementing regulations regarding Patents shall still be in full force, provided they do not violate or have not been amended by the new Law. All applications submitted prior to the effective date of the new Patent Law (August 1, 2001) shall still be subject to Law Number 13 of 1997 regarding the amendment of Law Number 6 of 1989 about Patents.

## THE OBLIGATIONS OF A PATENT HOLDER

A Patent Holder is obligated to implement a Patent in Indonesia within a period of 36 (thirty six months) at the latest, from the date a Patent is granted. Exemption is given under the condition that the manufacturing of said products or use of said process is only suitable to be implemented on a regional scale, approved by the Directorate General if the Patent Holder has submitted a written request provided with the reasons and evidence given by the authorized institution. The requirement concerning the exemption and procedures will further be regulated by Government Regulation.

The first payment of the annual fee must be made no later than 1 (one) year from the date a Patent is granted, and calculated from the first date of application.

1/2

## COMPULSORY LICENSES

A compulsory license is a license for implementing a Patent, which is granted based on a decision made by the Directorate General upon request. Any party can submit a request for a compulsory license to the Directorate General for implementing the Patent after the elapse of a period of 36 (thirty-six) months commencing from date of grant of the Patent, with the payment of a fee. The request for a compulsory license can also be submitted after the Patent is obtained on the grounds that said Patent has been implemented by the Patent Holders or the Licensees in the form and in the manner, which contravenes the interests of the public. Said compulsory license can only be made on the grounds that said Patent could not be implemented or only partially implemented in Indonesia by the Patent Holder.

The granting of the compulsory license is subject to the condition that the person applying for the compulsory license is able to show confirming evidence that he/she:

- d. possesses the ability to self-implement the relevant patent;
- e. owns some facilities to readily implement the relevant patent;
- f. has made efforts over a sufficient period of time in order to obtain a license from the Patent Holder on the basis of reasonable requirements and conditions, but did not achieve any results and the Directorate General is of the opinion that the relevant Patent can be implemented in Indonesia on a feasible scale of economy and can provide some benefits to the major parts of society.

## CANCELLATION OF PATENT BY OPERATION OF LAW

A Patent shall be declared null and void due to the following:

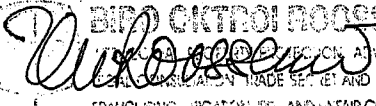
- 1). The Patent Holders do not pay the annual fee for 3 consecutive years,
- 2). Should the liability for payment of the annual fee be related to the liability for said payment for the 18<sup>th</sup> year and the following years not be fulfilled.

The cancellation of a Patent nullifies all legal consequences related to Patent and other matters coming from said Patent. Despite the fact that the relevant Patent shall be deemed null and void, the Patent Holder still has the obligation to pay the annual fees. Overdue payment of annual fee, commencing from the date determined in this act, shall be subject to an additional fee of 2.5% monthly of the annual fee for the year in which payment is overdue.

We hope that the above information we provide may be of use to you. Thank you for your cooperation.

Yours faithfully,

**BIRO OKTROI ROOSSENO**

  
 BIRO OKTROI ROOSSENO  
 DIVISI HUKUM, PENELITIAN, ADVOKASI &  
 PERALIHAN HAK SAHAJATI, HAK SAHAJATI, HAK SAHAJATI  
 DAN HAK SAHAJATI  
 FRANCHISING, LITIGASI, IPI, AND UNFAIR COMPETITION

**Dr. Toeti Heraty N. Roosseno**

THN/MG/PH/am

2/2



REPUBLIK INDONESIA  
DEPARTEMEN HUKUM DAN HAK ASASI MANUSIA

SERTIFIKAT PATEN

Menteri Hukum dan Hak Asasi Manusia atas nama Negara Republik Indonesia berdasarkan Undang-Undang Nomor 14 Tahun 2001 tentang Paten, memberikan Paten kepada :

Nama dan Alamat Pemegang Paten : **MUSION SYSTEMS LIMITED**  
**Covden House, 7a Langley Street,**  
**London, WC2H 9JA,**  
**GREAT BRITAIN**

Judul Invensi : **METODE DAN PERALATAN PROYEKSI**  
**UNTUK ILUSI *PEPPER'S GHOST***

Nama Inventor : **O'CONNELL, Ian**  
**ROCK, James**

Tanggal diberikan : **22 April 2008**

Perlindungan Paten diberikan selama 20 tahun sejak tanggal Penerimaan Permohonan Paten :  
1 April 2004

Dengan Nomor Paten : ID 0 020 983 dan Nomor Permohonan Paten : W-00200602761  
Sertifikat Paten ini dilampiri dengan uraian invensi (description), invensi teknologi yang dilindungi hukum (claim), sari invensi (abstract) dan gambar (jika ada) merupakan bagian yang tidak dipisahkan dari surat paten ini.

Jakarta, 22 Oktober 2008

a.n. MENTERI HUKUM DAN HAK ASASI MANUSIA  
REPUBLIK INDONESIA  
Direktur Jenderal Hak Kekayaan Intelektual  
u.b.  
Direktur Paten

RAZILU  
NIP. 040060484

**DEPARTEMEN OF JUSTICE AND HUMAN RIGHTS  
OF THE REPUBLIC OF INDONESIA**

**PATENT CERTIFICATE**

The Minister of Justice and Human rights, in the name of the Republic of Indonesia, in accordance to the Law Number 14 of 2001 concerning Patents, has granted a Patent to :

Name and Address of The Patent Holder : **MUSION SYSTEMS LIMITED  
Covden House, 7a Langley Street,  
London, WC2H 9JA,  
GREAT BRITAIN**

Title of The Invention : **PROJECTION APPARATUS AND  
METHOD FOR PEPPER'S GHOST  
ILLUSION**

Name of The Inventors : **O'CONNELL, Ian  
ROCK, James**

Date of Grant : **April 22, 2008**

Patent Protection shall be granted for a period of 20 years as of the date of receipt of this patent application :

**April 1, 2004**

With Patent Number : **ID 0 020 983** and Patent Application Number : **W-00 2006 02761**

This Patent Certificate is enclosed with the explanation of the invention (description), the invention of technology protected by law (claim), subject matter of the invention (abstract) and drawing (if any) that are inseparable parts of this Patent Certificate.

Jakarta, October 22, 2008

**For : THE MINISTER OF JUSTICE AND HUMAN RIGHTS  
OF THE REPUBLIC OF INDONESIA**

**Director General of Intellectual Property Rights**

**Director of Patent**

**(Signed)**

**RAZILU**

**NIP. 040060484**



(12)PATEN INDONESIA

(11) ID 0 020 983

(19)DIREKTORAT PATEN

DIREKTORAT JENDERAL HAK KEKAYAAN INTELEKTUAL

(45) 22 April 2008

(54) **Judul Invensi** : METODE DAN PERALATAN PROYEKSI UNTUK ILUSI PEPPER'S GHOST

(51) **Int. Cl.<sup>6</sup>** : G03B 21/28; A63J 5/02

(21) **Nomor Permohonan Paten** :  
W-00200602761

(22) **Tanggal Penerimaan Permohonan Paten** :  
1 April 2004

(30) **Data Prioritas** :  
(31) -  
(32) -  
(33) -

(43) **Tanggal Pengumuman Permohonan Paten** :  
21 Desember 2006

(56) **Dokumen Pemandang** :  
US 5 865 519

(71) **Nama dan Alamat yang mengajukan Permohonan Paten** :  
MUSION SYSTEMS LIMITED  
Covden House, 7a Langley Street,  
London, WC2H 9JA,  
GREAT BRITAIN

(72) **Nama Inventor** :  
O'CONNELL, Ian, GB  
ROCK, James, GB

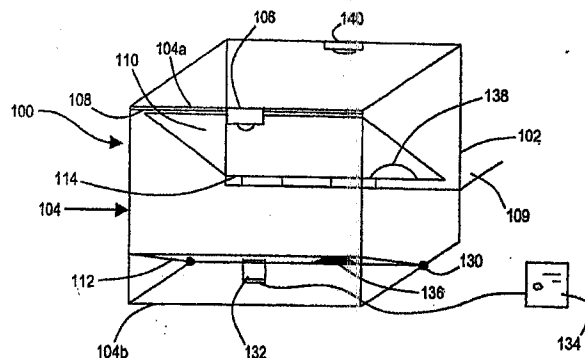
(74) **Nama dan Alamat Konsultan Paten** :  
Ir. MIGNI MYRIASANDRA NOERHADI,  
MIP., MSEL.  
Kantor Taman A-9, Unit C1 & C2,  
Jl. Mega Kuningan, Kuningan,  
Jakarta 12950, INDONESIA

**Pemeriksa Paten** : Faisal Syamsuddin, ST., MT.

**Jumlah Klaim** : 28 Klaim

7) **Abstrak** :

Peralatan proyeksi (100) yang terdiri dari proyektor (106), bingkai (108) dan layar (110) yang transparan sebagian. Bingkai (108) menahan layar (110) tetap tegang sehingga layar (110) dimiringkan pada sudut berkenaan dengan bidang pancar cahaya dari proyektor (106). Layar (110) memiliki permukaan depan yang disusun sehingga cahaya yang dipancarkan dari proyektor (106) dipantulkan darinya. Proyektor (106) memproyeksikan citra sehingga cahaya yang membentuk citra mengenai layar (11) sehingga citra maya tercipta dari cahaya yang dipantulkan dari layar (110), citra maya yang muncul ditempatkan di belakang layar (110).



DeskripsiMETODE DAN PERALATAN PROYEKSI UNTUK ILUSI *PEPPER'S GHOST*

## 5 Bidang Teknik Invensi

Invensi ini berhubungan dengan metode dan peralatan proyeksi. Terutama dengan peralatan proyeksi yang disusun untuk memproyeksikan citra dari objek pada layar pantul sebagian yang dimiringkan sehingga akan memberikan persepsi palsu terhadap kedalaman dan metode untuk membuat peralatan tersebut.

## 15 Latar Belakang Invensi

Telah diketahui proyeksi citra pada layar pantul sebagian dapat diamati oleh pengamat yang berada di depan layar, susunan yang disebut sebagai *pepper's ghost* telah dikenal dari pertunjukan-pertunjukan pada gelanggang.

20 Hal ini telah diterapkan pada tampilan promosi dan dimana penyaji berada di belakang layar pantul sebagian yang dimiringkan, biasanya foil yang tegang, dimana citra dari misalnya sebuah motor diproyeksikan, melalui setidaknya satu permukaan pantul, misalnya paten Eropa nomor EP 0799436.

25 Lokasi penyaji di belakang citra yang diproyeksikan memiliki sejumlah kelebihan terhadap sistem dimana penyaji berdiri di depan layar, walaupun penyaji tidak mengaburkan citra yang diproyeksikan ketika berjalan melintasi citra yang diproyeksikan. Selain itu, penggunaan layar yang dimiringkan mengakibatkan pengamat citra yang merasakan citra memiliki kedalaman dibandingkan dengan citra dua dimensi saja, misalnya motor yang terlihat dapat berputar pada meja putar.

30 Tetapi, peralatan proyeksi citra saat ini memiliki sejumlah masalah, misalnya sulitnya pemasangan dari foil bila pada gilirannya berhadapan dengan penegangan dan pengerutan dari foil yang dapat merusak kualitas tampilan citra yang diproyeksikan pada foil. Selain itu, dalam pemasangan foil, foil harus berada pada lembar plastik atau

